

# MODEL CAHV/H / TACU-VACU

**AIR HANDLING UNIT**

**AIR QUANTITY**

**FROM 1,450 TO 23,000 CFM.**

**COOLING CAPACITY**

**FROM 80,000 TO 750,000 BTUH**



Air Conditioning Experts

## FEATURES

- Easy Installation & Maintenance
- High Performance & High External static
- Heavy-duty Blower
- Copper tube with Aluminium Fin Coils

		SPECIFICATION MODEL : CAHV/H / TACU										SPECIFICATION MODEL : CAHV/H / VACU			
Nominal Cooling Capacity (BTU/Hr)		80,000	90,000	100,000	120,000	150,000	200,000	250,000	300,000	400,000	500,000	600,000	750,000		
COP (Watt / Watt)		3.09	3.03	2.74	2.76	2.91	2.80	2.82	2.83	4.44	2.44	1.38	1.05		
Power Consumption (kW)		7.60	8.72	10.70	12.75	15.08	20.95	26.02	31.05	26.40	59.99	127.44	210.04		
Rated Operation Current (Amp.)		14.18	17.08	20.83	23.86	30.46	39.27	48.04	58.71	49.97	123.10	256.30	459.50		
Power Supply (Volt/Phase/Hz)		380/3/50													
Fan Coil Unit	Model	CAHV/H-008AS	CAHV/H-009AS	CAHV/H-010AS	CAHV/H-012AS	CAHV/H-015AS	CAHV/H-020A	CAHV/H-025A	CAHV/H-030A	CAHV/H-040A	CAHV/H-050A	CAHV/H-060A	CAHV/H-075A		
	Type	Duct Type													
Air Flow Rated (Nominal) (CFM)		1,950	2,500	2,950	3,300	4,250	6,500	7,000	8,000	10,500	13,400	16,000	20,000		
Air Flow Rated (Range) (CFM)		1,450 - 2,450	2,000 - 3,000	2,450 - 3,450	2,800 - 3,800	3,250 - 5,250	5,000 - 8,000	5,000 - 9,000	6,000 - 10,000	8,500 - 12,500	10,400 - 16,400	12,000 - 20,000	17,000 - 23,000		
External Static Pressure (in.wg.)		0.21	0.22	0.22	0.23	0.24	0.37	0.56	0.65	0.75	0.98	1.13	1.15		
Blower	Type	Centrifugal (Vertical or Horizontal Discharge) (Belt Drive)													
	Quantity (PCS)	1					2								
Motor	Power Input (Watt)	0.94			1.81		2.61	3.51	4.28	6.49	8.46	12.25			
	Rated Current (Amp.)	1.95			3.40		4.87	6.50	7.53	11.10	15.30	21.50			
	Quantity (PCS)	1													
Evaporator Coil		Aluminium Louver Fin with Inner Grooved Copper Tube (7 mm.)					Aluminium Louver Fin with Inner Grooved Copper Tube (3/8")								
Expansion Device Type		Thermostatic Expansion Valve (TXV)													
Control Type		Optional													
Air Filter Type		Aluminium Filter													
Drain Connection (Inch)(OD)		3/4			1			1-1/4							
CAHV : Dimension (W x D x H) (mm.)		1,120x601x1,332	1,120x601x1,332	1,120x601x1,332	1,370x601x1,332	1,570x601x1,332	1,998x712x1,667	1,998x712x1,667	1,998x770x1,877	2,270x870x2,123	2,368x1,079x2,328	2,824x1,079x2,328	3,230x1,079x2,500		
CAHV : Weight (kgs.)		130	143	160	184	240	260	305	365	415	470	600			
CAHV : Dimension (W x D x H) (mm.)		1,276x1,234x656	1,276x1,234x656	1,276x1,234x656	1,526x1,234x656	1,726x1,234x656	2,154x1,561x772	2,154x1,561x772	2,154x1,778x832	2,426x2,023x934	2,368x2,235x1,260	2,820x2,235x1,260	3,310x2,559x1,260		
CAHV : Weight (kgs.)		143	144	160	180	198	260	280	327	388	450	510	650		
Condensing Unit	Model	TACU-008AS	TACU-009AS	TACU-010AS	TACU-012AS	TACU-015AS	TACU-020A-2C	TACU-025A-2C	TACU-030A-2C	TACU-040A-2C	VACU-050A-2C	VACU-060A-2C	VACU-070A-2C		
	Type	Vertical Air Flow													
Condenser Coil Type		Aluminium Louver Fin with Inner Grooved Copper Tube (7 mm.)					Aluminium Louver Fin with Inner Grooved Copper Tube (3/8")								
Fan + Motor	Fan Type	Propeller (With Motor Direct Drive)													
	Power Input (kW)	0.485					0.850	1.087				1.468			
	Rated Current (Amp.)	1.23					1.20	2.29				2.3			
	Quantity (Set)	1			2			3			4		6		
Compressor	Type	Scroll													
	Refrigerant	R-410A (Holding Charge)													
	Circuit of Refrigerant	1					2								
	Power Input (kW)	6.17	7.29	8.40	9.97	12.30	8.32	10.17	12.30	8.32	22.83	27.33	31.497		
	FLA (Amp.)	11.00	13.90	16.20	18.00	24.60	16.00	18.48	23.30	16.00	49.30	56.40	70.70		
LRA (Amp.)	101	127	153	153	174	139	153	174	139	270	300	390			
Quantity (PCS)	1					2				4				6	
Pipe Connection	Suction Line (Inch)(OD)	7/8	1-1/8			1-3/8 (x2)			1-5/8 (x2)			2-1/8 (x2)			
	Liquid Line (Inch)(OD)	1/2			5/8		5/8 (x2)			7/8 (x2)					
Dimension (W x D x H) (mm.)	800x750x945				1,500x750x945			2,140x1,140x1,165			2,860x1,140x1,165		2,200x2,509x2,030		2,200x3,624x2,030
Weight (kgs.)	120	142	150	170	185	370	425	480	550	1,264	1,278	1,686			

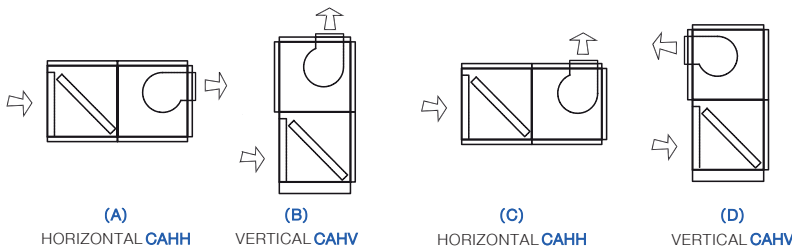
\*Nominal cooling capacity based on 80 °FDB and 67 °FWB entering air temp., And 45°F suction temp. and 95°F ambient temp.

Specification are subjected to change without notice for future improvement

FLA = Full Load Amp.

LRA = Locked Rotor Amp

ALTERNATE BLOWER ARRANGEMENTS



"Orders without specific blower arrangement will be considered as standard configuration (A or B)"

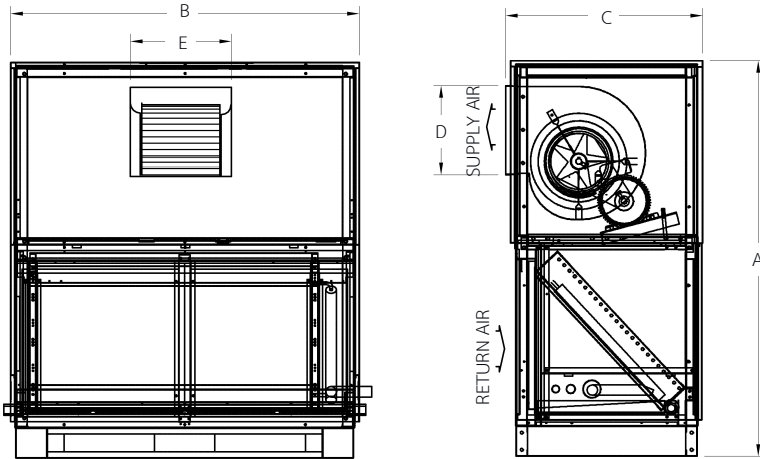
CONDENSING UNIT



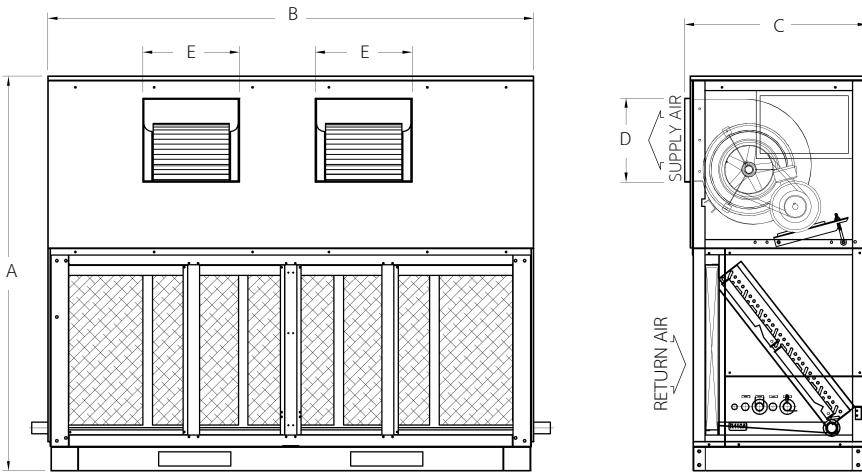
\*\*Eurovent certified for mode DAHV only.

**UNIAIRE CORPORATION CO., LTD.**  
 69 Moo 3 Kingkeaw Rd., Rachatewa District,  
 Bangplee, Samutprakarn 10540 Thailand  
 Tel.+662-312-4500, Email.export@uni-aire.com  
 www.uni-aire.com +666-2312-3069

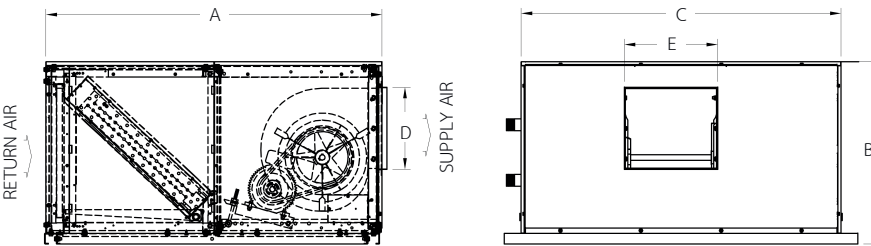
**DIMENSIONAL DRAWINGS MODEL : CAHV/H**



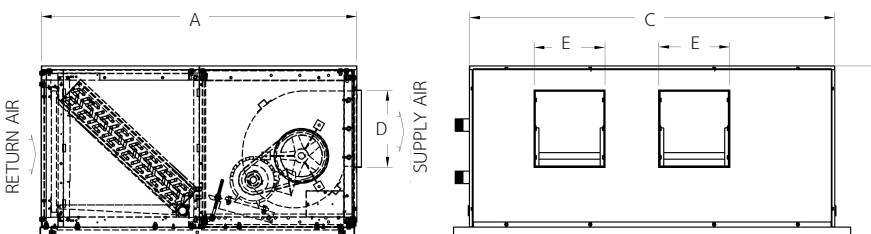
MODEL	DIMENSIONS				
	A	B	C	D	E
CAHV-009AS	1,313	1,157	633	296	335
CAHV-010AS	1,313	1,157	633	340	395



MODEL	DIMENSIONS				
	A	B	C	D	E
CAHV-012AS	1,313	1,402	633	293	273
CAHV-015AS	1,313	1,606	655	295	337
CAHV-020A	1,643	2,024	761	349	403
CAHV-025A	1,643	2,024	761	349	403
CAHV-030A	1,858	2,030	821	410	477
CAHV-040A	2,104	2,302	917	413	480

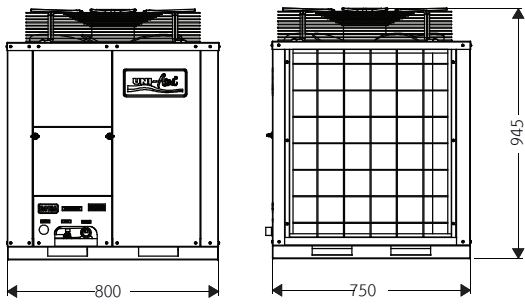


MODEL	DIMENSIONS				
	A	B	C	D	E
CAHV-009AS	1,234	656	1,154	296	335
CAHV-010AS	1,234	656	1,154	340	395

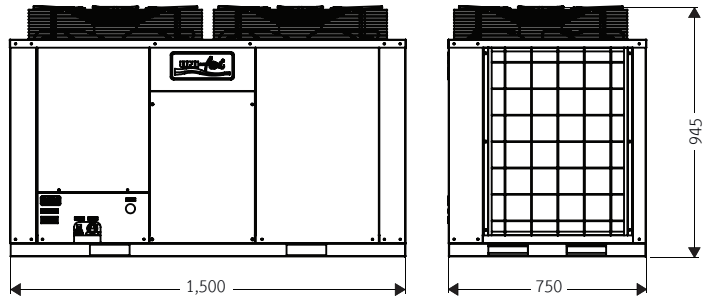


MODEL	DIMENSIONS				
	A	B	C	D	E
CAHV-012AS	1,234	656	1,404	293	273
CAHV-015AS	1,234	656	1,604	295	337
CAHV-020A	1,561	772	2,032	349	403
CAHV-025A	1,561	772	2,032	349	403
CAHV-030A	1,778	832	2,032	410	477
CAHV-040A	2,023	934	2,376	413	480

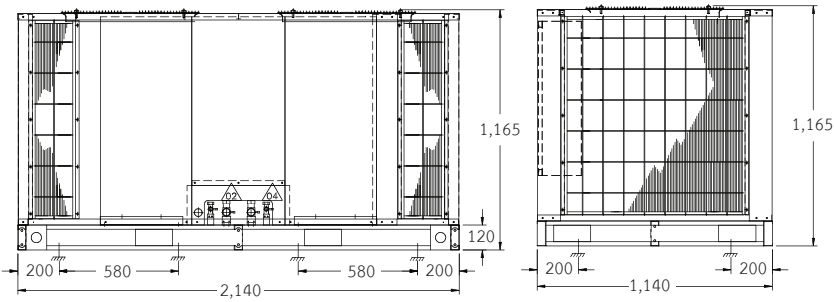
**MODEL : TACU-008AS to TACU-010AS**



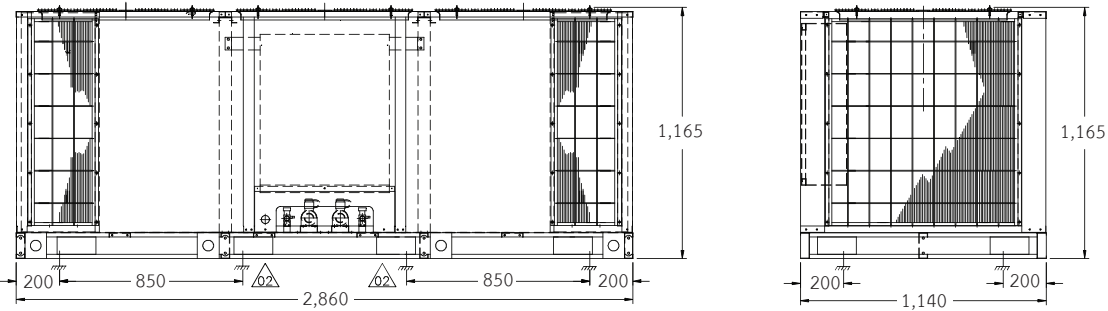
**MODEL : TACU-012AS to TACU-015AS**



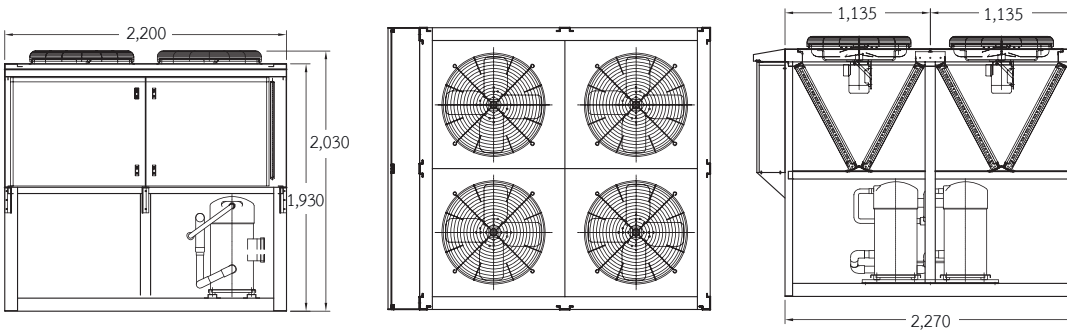
**MODEL : TACU-020A to TACU-030A**



**MODEL : TACU-040A**



**MODEL : VACU-050A to VACU-060A**



**MODEL : VACU-070A**

